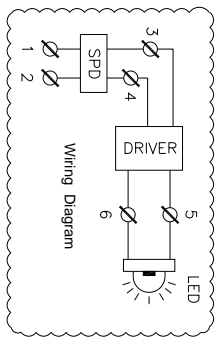


- Light Fitting Standard Specification :**
- a) WATTAGE : 20 WATTS
 - b) VOLTAGE : 140V-270V AC
 - c) POWER FACTOR : >0.95
 - d) INPUT FREQUENCY : 50 Hz
 - e) EFFICACY : >100 LUMEN PER WATT
 - f) COLOUR (CCT) : 3000K/5700K/6500K/OR AS SPECIFIED
 - g) CRI : >80 RA
 - h) TOTAL HARMONIC DISTORTION : ≤ 10% THD
 - i) BEAM ANGLE : 120 DEGREE
 - j) SURFACE TEMPERATURE : MAX. 70°
 - k) SURGE PROTECTION : 10 KV SPD

Light Fitting OPTIONS :

- Light Fitting CONSTRUCTION :** STAINLESS STEEL
- 1) MATERIAL CONSTRUCTION : STAINLESS STEEL
 - 2) VOLTAGE : 220V DC/110V AC/110V DC/24V AC
 - 3) GLASS TYPE : DOME / FLAT / LENS
 - 4) BEAM ANGLE : LENS AVAILABLE 60/90/120 DEGREE
 - 5) LED MAKE : CITIZEN/OSRAM/BRIDGELUX/EQUIVALENT
 - 6) DRIVER MAKE : OSRAM/PHILIPS/FULHAM/EQUIVALENT
 - 7) CABLE GLAND & PLUG : BRASS/S.S./ALUMINIUM
 - 8) WIRE GUARD : M.S. WHITE EPOXY POWDER COATED / S.S.



ALL DIMENSIONS ARE IN MM UNLESS OTHERWISE SPECIFIED.

- Reference IS/IEC Standard as follows :**
- 1 - FLAMEPROOF (Ex d) PROTECTION - IIA/IB & IIC, IS/IEC 60079-1 (2014)
 - TEMPERATURE CLASS - T6
 - 2 - INGRESS (IP) PROTECTION - IP-66, IS/IEC 60529 (2001). (Reaffirmed 2014)

Standard Specification :

- 1 - MATERIAL - CAST ALUMINIUM ALLOY
- 2 - FINISH - INSIDE & OUTSIDE LIGHT GREY EPOXY POWDER COATING SHADE No. 631 AS PER IS-5
- 3 - EARTHING - 1 No. INSIDE & 2 Nos. OUTSIDE M6 SIZE S.S./BRASS SCREWS WITH 2 Nos. PLAIN WASHER
- 4 - HARDWARE - STAINLESS STEEL
- 5 - GASKET - 'O' RING ENDLESS NEOPRENE RUBBER GASKET
- 6 - MOUNTING ARRGT. - AS SHOWN IN DRG.

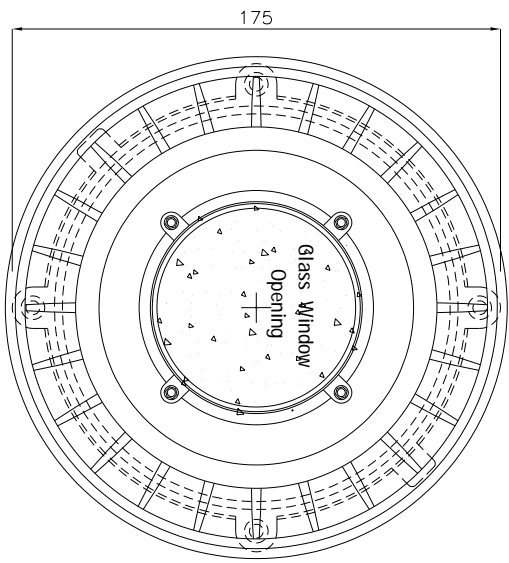
Material / Components Specification :

- 1 - S.S. NAME CUM WARNING PLATE (WITH DESCRIPTION TITLE, CIMFR, PESO, SR. NO., GAS GROUP, RATING, BIS MARKING, WARNING STATUS, etc...)
- 2 - GLASS - HEAT RESISTANCE CLEAR TOUCHENED GLASS 'TYPE-A' OF 'SUDHIR' BRAND
- 3 - CABLE ENTRIES - 2 Nos. M20 / 1/2" NPT / 3/4" ET SIZE CABLE ENTRIES FROM SIDE (REFER DRAWING)
- 4 - TERMINALS - 6 Nos. 2.5sq. mm (MICRO) CLIP-ON TYPE TERMINALS OF 'ELMEY/CONNECTWELL' MAKE

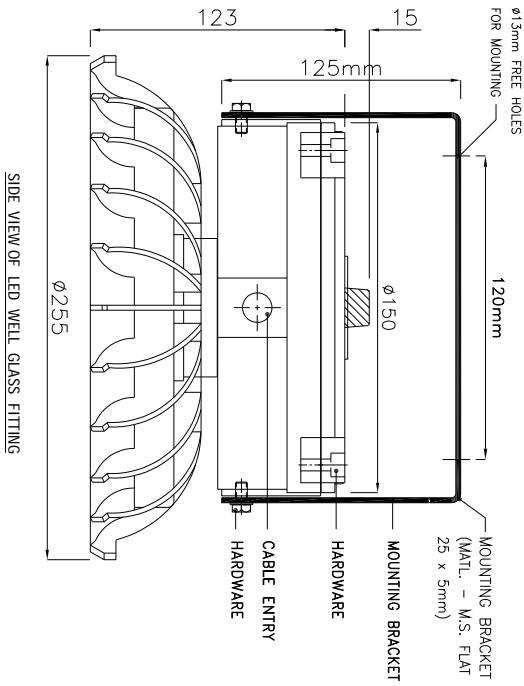
THIS DRAWING IS PROPERTY OF "SUDHIR SWITCHGEARS PVT. LTD." AND MUST BE RETURNED ON REQUEST IF IT IS SUBMITTED AS CONFIDENTIAL INFORMATION IN CONNECTION WITH ENQUIRY, TENDER, ORDER, OR CONTRACTS IT IS NOT TO BE USED FOR ANY OTHER PURPOSE OR ORDER NOR MAY IT RE-COPIED OR LENT WITHOUT OUR AUTHORITY IN WRITING.

THANNE

<p>NOTE :</p> <p>COMPONENT LAYOUT IS TENTATIVE RELOCATION OF PARTS & COMPONENTS IS POSSIBLE AT THE TIME OF ACTUAL MANUFACTURING.</p> <p>OVERALL DIMENSIONS ARE ±10mm</p>		<p>CAT. No. : WG/1240</p> <p>MODEL No. : WG/1240/F/20</p> <p>DRN. : JASNAK</p> <p>CHKD. : JASNAK</p> <p>SHEET : 1 OF 1</p> <p>SCALE : N. T. S. REV. - 0</p>																					
<p>REVISIONS :</p> <table border="1"> <thead> <tr> <th>REV.</th> <th>DATE</th> <th>DESCRIPTION</th> <th>DRN.</th> <th>CHKD.</th> <th>APPD.</th> <th>SCALE</th> </tr> </thead> <tbody> <tr> <td>Δ</td> <td></td> <td></td> <td></td> <td></td> <td></td> <td></td> </tr> <tr> <td>Δ</td> <td></td> <td></td> <td></td> <td></td> <td></td> <td></td> </tr> </tbody> </table>	REV.	DATE	DESCRIPTION	DRN.	CHKD.	APPD.	SCALE	Δ							Δ							<p>TITLE : FLP-WIP ENCLOSURE FOR WELL GLASS FITTING</p> <p>FITTING SUITABLE FOR 20 WATTS LED LIGHT FITTING</p> <p>DR. : IN/CIMFR/TR21/P/H176</p> <p>Dt. : 11/08/2021</p> <p>DESIGNER : P546023/1</p> <p>Dt. : 26/09/2022</p> <p>CHECKER : CM/L-0002914461</p>	<p>SUDHIR SWITCHGEARS PVT. LTD.</p> <p>130, MULBETA SAMACHAR MARG, MULBETA - 400 023</p> <p>PESO No. :</p> <p>BIS LICENCE No. :</p>
REV.	DATE	DESCRIPTION	DRN.	CHKD.	APPD.	SCALE																	
Δ																							
Δ																							



Bottom View of Well Glass Fitting
(TYPE - 5)



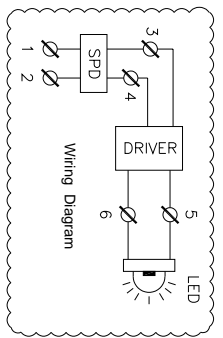
SIDE VIEW OF LED WELL GLASS FITTING

Light Fitting Standard Specification :

- a) WATTAGE : 30 WATTS
- b) VOLTAGE : 140V-270V AC
- c) POWER FACTOR : >0.95
- d) INPUT FREQUENCY : 50 Hz
- e) EFFICACY : >100 LUMEN PER WATT
- f) COLOUR (CCT) : 3000K/5700K/6500K/ OR AS SPECIFIED
- g) CRI : >80 RA
- h) TOTAL HARMONIC DISTORTION : ≤ 10% THD
- i) BEAM ANGLE : 120 DEGREE
- j) SURFACE TEMPERATURE : MAX. 70°
- k) SURGE PROTECTION : 10 KV SPD

Light Fitting Options :

- 1) MATERIAL CONSTRUCTION : STAINLESS STEEL
- 2) VOLTAGE : 220V DC/110V AC/110V DC/24V AC
- 3) GLASS TYPE : DOME / FLAT / LENS
- 4) BEAM ANGLE : LENS AVAILABLE 60/90/120 DEGREE
- 5) LED MAKE : CITIZEN/OSRAM/BRIDGELUX/EQUIVALENT
- 6) DRIVER MAKE : OSRAM/PHILIPS/FULHAM/EQUIVALENT
- 7) CABLE GLAND & PLUG : BRASS/S.S./ALUMINIUM
- 8) WIRE GUARD : M.S. WHITE EPOXY POWDER
COATED / S.S.



ALL DIMENSIONS ARE IN MM UNLESS OTHERWISE SPECIFIED.

Reference IS/IEC Standard as follows :

- 1 - FLAMEPROOF (Ex d) PROTECTION - IIA/IB & IIC, IS/IEC 60079-1 (2014)
- TEMPERATURE CLASS - T6
- 2 - INGRESS (IP) PROTECTION - IP-66, IS/IEC 60529 (2001). (Reaffirmed 2014)

Standard Specification :

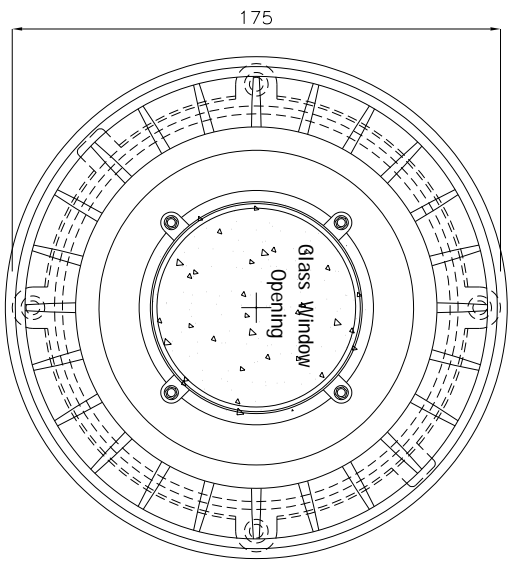
- 1 - MATERIAL - CAST ALUMINIUM ALLOY
- 2 - FINISH - INSIDE & OUTSIDE LIGHT GREY EPOXY POWDER COATING SHADE No. 631 AS PER IS-5
- 3 - EARTHING - 1 No. INSIDE & 2 Nos. OUTSIDE M6 SIZE S.S./BRASS SCREWS WITH 2 Nos. PLAIN WASHER
- 4 - HARDWARE - STAINLESS STEEL
- 5 - GASKET - 'O' RING ENDLESS NEOPRENE RUBBER GASKET
- 6 - MOUNTING ARRGT. - AS SHOWN IN DRG.

Material / Components Specification :

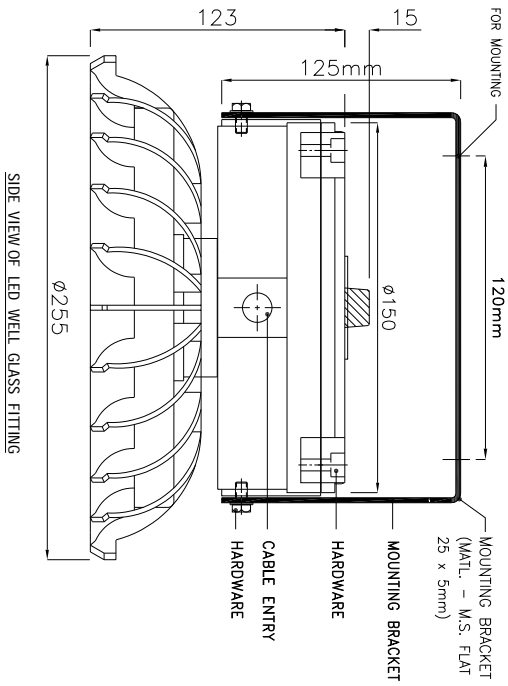
- 1 - S.S. NAME CUM WARNING PLATE (WITH DESCRIPTION TITLE, CIMFR, PESO, SR. NO., GAS GROUP, RATING, BIS MARKING, WARNING STATUS, etc...)
- 2 - GLASS - HEAT RESISTANCE CLEAR TOUCHENED GLASS 'TYPE-A' OF 'SUDHIR' BRAND
- 3 - CABLE ENTRIES - 2 Nos. M20 / 1/2" NPT / 3/4" ET SIZE CABLE ENTRIES FROM SIDE (REFER DRAWING)
- 4 - TERMINALS - 6 Nos. 2.5sq. mm (MICRO) CLIP-ON TYPE TERMINALS OF 'ELMEY/CONNECTWELL' MAKE

THIS DRAWING IS PROPERTY OF "SUDHIR SWITCHGEARS PVT. LTD." AND MUST BE RETURNED ON REQUEST IF IT IS SUBMITTED AS CONFIDENTIAL INFORMATION IN CONNECTION WITH ENQUIRY, TENDER, ORDER, OR CONTRACTS IT IS NOT TO BE USED FOR ANY OTHER PURPOSE OR ORDER NOR MAY IT RE-COPIED OR LENT WITHOUT OUR AUTHORITY IN WRITING.

<p>NOTE :</p> <p>COMPONENT LAYOUT IS TENTATIVE RELOCATION OF PARTS & COMPONENTS IS POSSIBLE AT THE TIME OF ACTUAL MANUFACTURING.</p> <p>OVERALL DIMENSIONS ARE ±10mm</p>			<p>CAT. No WG/1240</p> <p>MODEL No. WG/1240/F/30</p> <p>DRN. profile JMS/KW</p> <p>CHKD. SHEET 1 OF 1</p> <p>SCALE N. T. S. REV.-0</p>		
<p>SUDHIR SWITCHGEARS PVT. LTD. 130, MULBEN SAMACHAR MARG, MULBEN - 400 023</p> <p>TITLE : FLP-WIP ENCLOSURE FOR WELL GLASS LIGHT FITTING SUITABLE FOR 30 WATTS LED LIGHT FITTING</p> <p>CHKD. CERT. No. IN/CIMFR/TR21/P/H176</p> <p>Dt. 11/08/2021</p>			<p>PESO No. : P546023/1</p> <p>BIS LICENCE No. : CM/L-0002914461</p>		
REV.	DATE	DESCRIPTION	DRN.	CHKD.	APPD.



Bottom View of Well Glass Fitting
(TYPE - 5)

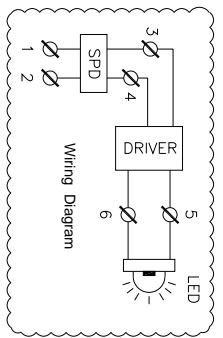


SIDE VIEW OF LED WELL GLASS FITTING

- Light Fitting Standard Specification :**
- a) WATTAGE : 35 WATTS
 - b) VOLTAGE : 140V-270V AC
 - c) POWER FACTOR : >0.95
 - d) INPUT FREQUENCY : 50 Hz
 - e) EFFICACY : >100 LUMEN PER WATT
 - f) COLOUR (CCT) : 3000K/5700K/6500K/OR AS SPECIFIED
 - g) CRI : >80 RA
 - h) TOTAL HARMONIC DISTORTION : ≤ 10% THD
 - i) BEAM ANGLE : 120 DEGREE
 - j) SURFACE TEMPERATURE : MAX. 70°
 - k) SURGE PROTECTION : 10 KV SPD

Light Fitting Options :

- Light Fitting Options :**
- 1) MATERIAL CONSTRUCTION : STAINLESS STEEL
 - 2) VOLTAGE : 220V DC/110V AC/110V DC/24V AC
 - 3) GLASS TYPE : DOME / FLAT / LENS
 - 4) BEAM ANGLE : LENS AVAILABLE 60/90/120 DEGREE
 - 5) LED MAKE : CITIZEN/OSRAM/BRIDGELUX/EQUIVALENT
 - 6) DRIVER MAKE : OSRAM/PHILIPS/FULHAM/EQUIVALENT
 - 7) CABLE GLAND & PLUG : BRASS/S.S./ALUMINIUM
 - 8) WIRE GUARD : M.S. WHITE EPOXY POWDER COATED / S.S.



ALL DIMENSIONS ARE IN MM UNLESS OTHERWISE SPECIFIED.

- Reference IS/IEC Standard as follows :**
- 1 - FLAMEPROOF (Ex d) PROTECTION - IIA/IIb & IIC, IS/IEC 60079-1 (2014)
 - TEMPERATURE CLASS - T6
 - 2 - INGRESS (IP) PROTECTION - IP-66, IS/IEC 60529 (2001). (Reaffirmed 2014)

Standard Specification :

- 1 - MATERIAL - CAST ALUMINIUM ALLOY
- 2 - FINISH - INSIDE & OUTSIDE LIGHT GREY EPOXY POWDER COATING SHADE No. 631 AS PER IS-5
- 3 - EARTHING - 1 No. INSIDE & 2 Nos. OUTSIDE M6 SIZE S.S./BRASS SCREWS WITH 2 Nos. PLAIN WASHER
- 4 - HARDWARE - STAINLESS STEEL
- 5 - GASKET - 'O' RING ENDLESS NEOPRENE RUBBER GASKET
- 6 - MOUNTING ARRGT. - AS SHOWN IN DRG.

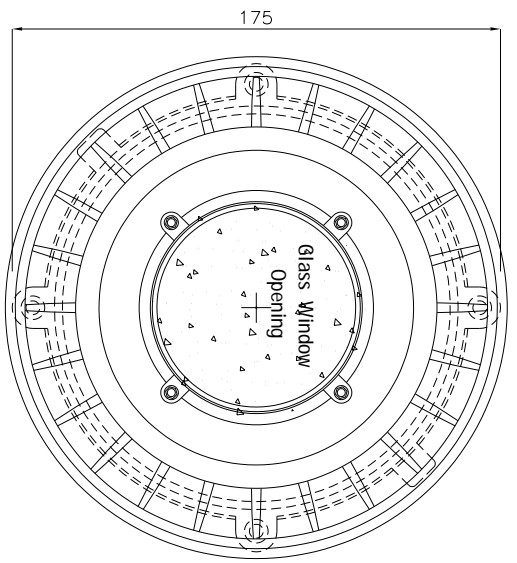
Material / Components Specification :

- 1 - S.S. NAME CUM WARNING PLATE (WITH DESCRIPTION TITLE, CIMFR, PESO, SR. NO., GAS GROUP, RATING, BIS MARKING, WARNING STATUS, etc...)
- 2 - GLASS - HEAT RESISTANCE CLEAR TOUCHENED GLASS 'TYPE-A' OF 'SUDHIR' BRAND
- 3 - CABLE ENTRIES - 2 Nos. M20 / 1/2" NPT / 3/4" ET SIZE CABLE ENTRIES FROM SIDE (REFER DRAWING)
- 4 - TERMINALS - 6 Nos. 2.5sq. mm (MICRO) CLIP-ON TYPE TERMINALS OF 'ELMEY/CONNECTWELL' MAKE

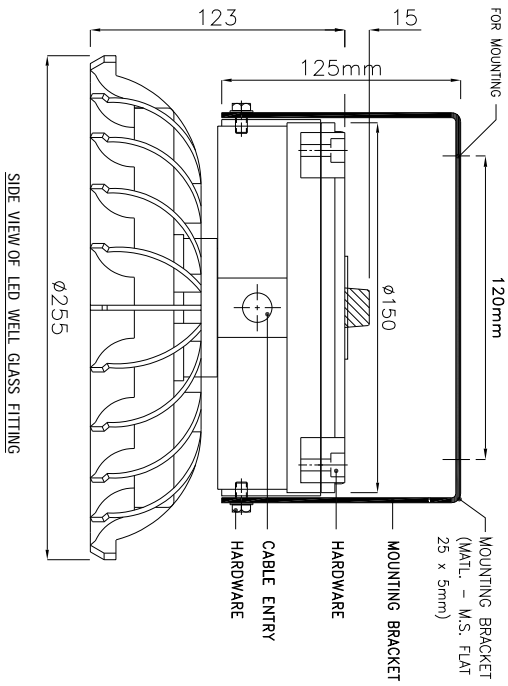
THIS DRAWING IS PROPERTY OF "SUDHIR SWITCHGEARS PVT. LTD." AND MUST BE RETURNED ON REQUEST IF IT IS SUBMITTED AS CONFIDENTIAL INFORMATION IN CONNECTION WITH ENQUIRY, TENDER, ORDER, OR CONTRACTS IT IS NOT TO BE USED FOR ANY OTHER PURPOSE OR ORDER NOR MAY IT RE-COPIED OR LENT WITHOUT OUR AUTHORITY IN WRITING.

THANJE

<p>NOTE :</p> <p>COMPONENT LAYOUT IS TENTATIVE RELOCATION OF PARTS & COMPONENTS IS POSSIBLE AT THE TIME OF ACTUAL MANUFACTURING.</p> <p>OVERALL DIMENSIONS ARE ±10mm</p>		<p>CAT. No WG/1240</p> <p>MODEL No. WG/1240/F/35</p> <p>DRN. profile JMS/KV</p> <p>CHKD. SHEET 1 OF 1</p> <p>SCALE N. T. S. REV.-0</p>	<p>SUDHIR SWITCHGEARS PVT. LTD.</p> <p>130, MULBETA SAMACHAR MARG, MULBETA - 400 023</p> <p>TITLE : FLP-WIP ENCLOSURE FOR WELL GLASS FITTING</p> <p>FITTING SUITABLE FOR 35 WATTS LED LIGHT FITTING</p> <p>CHKD. CERT. No. IN/CIMFR/TR21/P/H176</p> <p>Dt. 11/08/2021</p>	<p>PESO No. : P546023/1</p> <p>BIS LICENCE No. : CM/L-0002914461</p>		
REV.	DATE	DESCRIPTION	DRN.	CHKD.	APPD.	SCALE



Bottom View of Well Glass Fitting
(TYPE - 5)

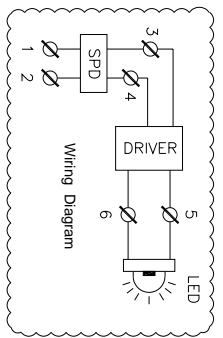


SIDE VIEW OF LED WELL GLASS FITTING

- Light Fitting Standard Specification :**
- a) WATTAGE : 40 WATTS
 - b) VOLTAGE : 140V-270V AC
 - c) POWER FACTOR : >0.95
 - d) INPUT FREQUENCY : 50 Hz
 - e) EFFICACY : >100 LUMEN PER WATT
 - f) COLOUR (CCT) : 3000K/5700K/6500K/OR AS SPECIFIED
 - g) CRI : >80 RA
 - h) TOTAL HARMONIC DISTORTION : ≤ 10% THD
 - i) BEAM ANGLE : 120 DEGREE
 - j) SURFACE TEMPERATURE : MAX. 70°
 - k) SURGE PROTECTION : 10 KV SPD

Light Fitting OPTIONS :

- 1) MATERIAL CONSTRUCTION : STAINLESS STEEL**
- 2) VOLTAGE : 220V DC/110V AC/110V DC/24V AC
 - 3) GLASS TYPE : DOME / FLAT / LENS
 - 4) BEAM ANGLE : LENS AVAILABLE 60/90/120 DEGREE
 - 5) LED MAKE : CITIZEN/OSRAM/BRIDGELUX/EQUIVALENT
 - 6) DRIVER MAKE : OSRAM/PHILIPS/FULHAM/EQUIVALENT
 - 7) CABLE GLAND & PLUG : BRASS/S.S./ALUMINIUM
 - 8) WIRE GUARD : M.S. WHITE EPOXY POWDER
 - COATED / S.S.



ALL DIMENSIONS ARE IN MM UNLESS OTHERWISE SPECIFIED.

- Reference IS/IEC Standard as follows :**
- 1 - FLAMEPROOF (Ex d) PROTECTION - IIA/IB & IIC, IS/IEC 60079-1 (2014)
 - TEMPERATURE CLASS - T6
 - 2 - INGRESS (IP) PROTECTION - IP-66, IS/IEC 60529 (2001). (Reaffirmed 2014)

Standard Specification :

- 1 - MATERIAL - CAST ALUMINIUM ALLOY
- 2 - FINISH - INSIDE & OUTSIDE LIGHT GREY EPOXY POWDER COATING SHADE No. 631 AS PER IS-5
- 3 - EARTHING - 1 No. INSIDE & 2 Nos. OUTSIDE M6 SIZE S.S./BRASS SCREWS WITH 2 Nos. PLAIN WASHER
- 4 - HARDWARE - STAINLESS STEEL
- 5 - GASKET - 'O' RING ENDLESS NEOPRENE RUBBER GASKET
- 6 - MOUNTING ARRGT. - AS SHOWN IN DRG.

Material / Components Specification :

- 1 - S.S. NAME CUM WARNING PLATE (WITH DESCRIPTION TITLE, CIMFR, PESO, SR. NO., GAS GROUP, RATING, BIS MARKING, WARNING STATUS, etc...)
- 2 - GLASS - HEAT RESISTANCE CLEAR TOUCHENED GLASS 'TYPE-A' OF 'SUDHIR' BRAND
- 3 - CABLE ENTRIES - 2 Nos. M20 / 1/2" NPT / 3/4" ET SIZE CABLE ENTRIES FROM SIDE (REFER DRAWING)
- 4 - TERMINALS - 6 Nos. 2.5sq. mm (MICRO) CLIP-ON TYPE TERMINALS OF 'ELMEY/CONNECTWELL' MAKE

NOTE :

- COMPONENT LAYOUT IS TENTATIVE RELOCATION OF PARTS & COMPONENTS IS POSSIBLE AT THE TIME OF ACTUAL MANUFACTURING.
- OVERALL DIMENSIONS ARE ±10mm

REV.	DATE	DESCRIPTION	DRN.	CHD.	APPD.	SCALE
Δ						
Δ						
Δ						

CAT. No. **WG/1240**

MODEL No.: **WG/1240/F/40**

DRN. **JASNAK**

CHD. **JASNAK**

APPD. **JASNAK**

SHEET **1** OF **1**

N. T. S. REV. **0**

SUDHIR SWITCHGEARS PVT. LTD.

130, MULBARI SAMACHAR MARG, MULBARI - 400 023

TITLE : **FLP-WIP ENCLOSURE FOR WELL GLASS LIGHT**

FITTING SUITABLE FOR 40 WATTS LED LIGHT FITTING

CHDR. CERT. No.

IN/CIMFR/TR21/P/H176

Dt. 11/08/2021

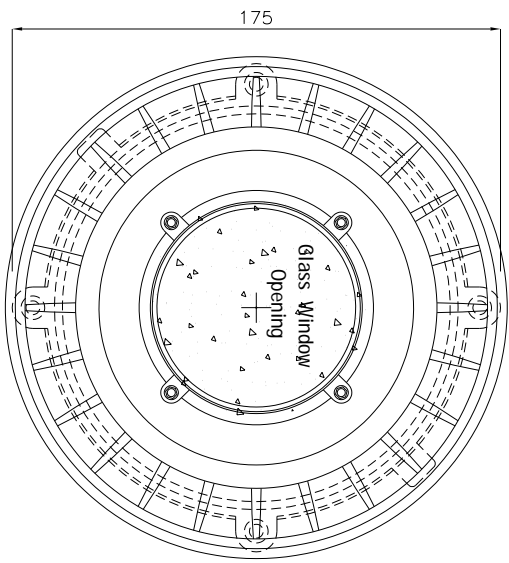
PESO No. :

P546023/1

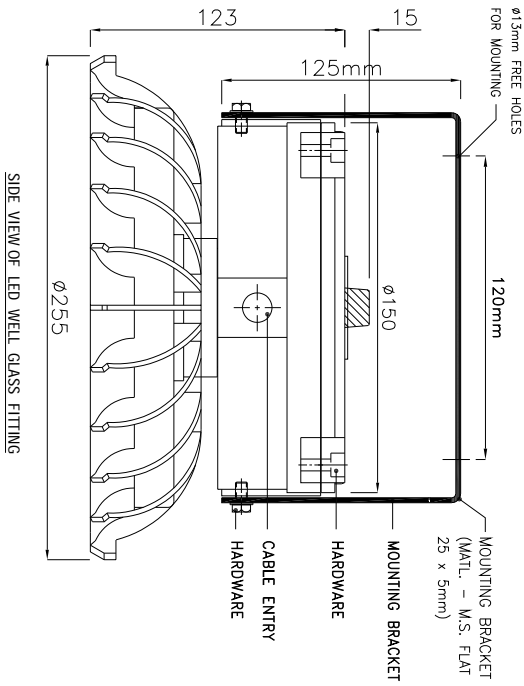
Dt. 26/09/2022

BIS LICENCE No. :

CM/L-0002914461



Bottom View of Well Glass Fitting
(TYPE - 5)

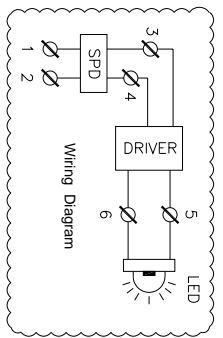


SIDE VIEW OF LED WELL GLASS FITTING

- Light Fitting Standard Specification :**
- a) WATTAGE : 45 WATTS
 - b) VOLTAGE : 140V-270V AC
 - c) POWER FACTOR : >0.95
 - d) INPUT FREQUENCY : 50 Hz
 - e) EFFICACY : >100 LUMEN PER WATT
 - f) COLOUR (CCT) : 3000K/5700K/6500K/OR AS SPECIFIED
 - g) CRI : >80 RA
 - h) TOTAL HARMONIC DISTORTION : ≤ 10% THD
 - i) BEAM ANGLE : 120 DEGREE
 - j) SURFACE TEMPERATURE : MAX. 70°
 - k) SURGE PROTECTION : 10 KV SPD

Light Fitting Options :

- Light Fitting Options :**
- 1) MATERIAL CONSTRUCTION : STAINLESS STEEL
 - 2) VOLTAGE : 220V DC/110V AC/110V DC/24V AC
 - 3) GLASS TYPE : DOME / FLAT / LENS
 - 4) BEAM ANGLE : LENS AVAILABLE 60/90/120 DEGREE
 - 5) LED MAKE : CITIZEN/OSRAM/BRIDGELUX/EQUIVALENT
 - 6) DRIVER MAKE : OSRAM/PHILIPS/FULHAM/EQUIVALENT
 - 7) CABLE GLAND & PLUG : BRASS/S.S./ALUMINIUM
 - 8) WIRE GUARD : M.S. WHITE EPOXY POWDER COATED / S.S.



ALL DIMENSIONS ARE IN MM UNLESS OTHERWISE SPECIFIED.

- Reference IS/IEC Standard as follows :**
- 1 - FLAMEPROOF (Ex d) PROTECTION - IIA/IB & IIC, IS/IEC 60079-1 (2014)
 - TEMPERATURE CLASS - T6
 - 2 - INGRESS (IP) PROTECTION - IP-66, IS/IEC 60529 (2001). (Reaffirmed 2014)

Standard Specification :

- 1 - MATERIAL - CAST ALUMINIUM ALLOY
- 2 - FINISH - INSIDE & OUTSIDE LIGHT GREY EPOXY POWDER COATING SHADE No. 631 AS PER IS-5
- 3 - EARTHING - 1 No. INSIDE & 2 Nos. OUTSIDE M6 SIZE S.S./BRASS SCREWS WITH 2 Nos. PLAIN WASHER
- 4 - HARDWARE - STAINLESS STEEL
- 5 - GASKET - 'O' RING ENDLESS NEOPRENE RUBBER GASKET
- 6 - MOUNTING ARRGT. - AS SHOWN IN DRG.

Material / Components Specification :

- 1 - S.S. NAME CUM WARNING PLATE (WITH DESCRIPTION TITLE, CIMFR, PESO, SR. NO., GAS GROUP, RATING, BIS MARKING, WARNING STATUS, etc...)
- 2 - GLASS - HEAT RESISTANCE CLEAR TOUCHENED GLASS 'TYPE-A' OF 'SUDHIR' BRAND
- 3 - CABLE ENTRIES - 2 Nos. M20 / 1/2" NPT / 3/4" ET SIZE CABLE ENTRIES FROM SIDE (REFER DRAWING)
- 4 - TERMINALS - 6 Nos. 2.5sq. mm (MICRO) CLIP-ON TYPE TERMINALS OF 'ELMEY/CONNECTWELL' MAKE

NOTE :

- COMPONENT LAYOUT IS TENTATIVE RELOCATION OF PARTS & COMPONENTS IS POSSIBLE AT THE TIME OF ACTUAL MANUFACTURING.
- OVERALL DIMENSIONS ARE ±10mm

REV.	DATE	DESCRIPTION	DRN.	CHD.	APP.	SCALE
Δ						
Δ						
Δ						

CAT. No.
WG/1240

MODEL No.:
WG/1240/F/45

DRN. profile
JMS/KW

CHD. APPD.
1 OF 1

SHEET N. T. S. REV.-0

SUDHIR SWITCHGEARS PVT. LTD.
130, MULBARI SAMACHAR MARG, MULBARI - 400 023

TITLE : **FLP-WIP ENCLOSURE FOR WELL GLASS LIGHT FITTING SUITABLE FOR 45 WATTS LED LIGHT FITTING**

CHDR. CERT. No. : **IN/CIMFR/TR21/P/H176**

Dt. : **11/08/2021**

PESO No. : **P546023/1**
Dt. : **26/09/2022**
BIS LICENCE No. : **CM/L-0002914461**

THIS DRAWING IS PROPERTY OF "SUDHIR SWITCHGEARS PVT. LTD." AND MUST BE RETURNED ON REQUEST IF IT IS SUBMITTED AS CONFIDENTIAL INFORMATION IN CONNECTION WITH ENQUIRY, TENDER, ORDER, OR CONTRACTS IT IS NOT TO BE USED FOR ANY OTHER PURPOSE OR ORDER NOR MAY IT RE-COPIED OR LENT WITHOUT OUR AUTHORITY IN WRITING.